

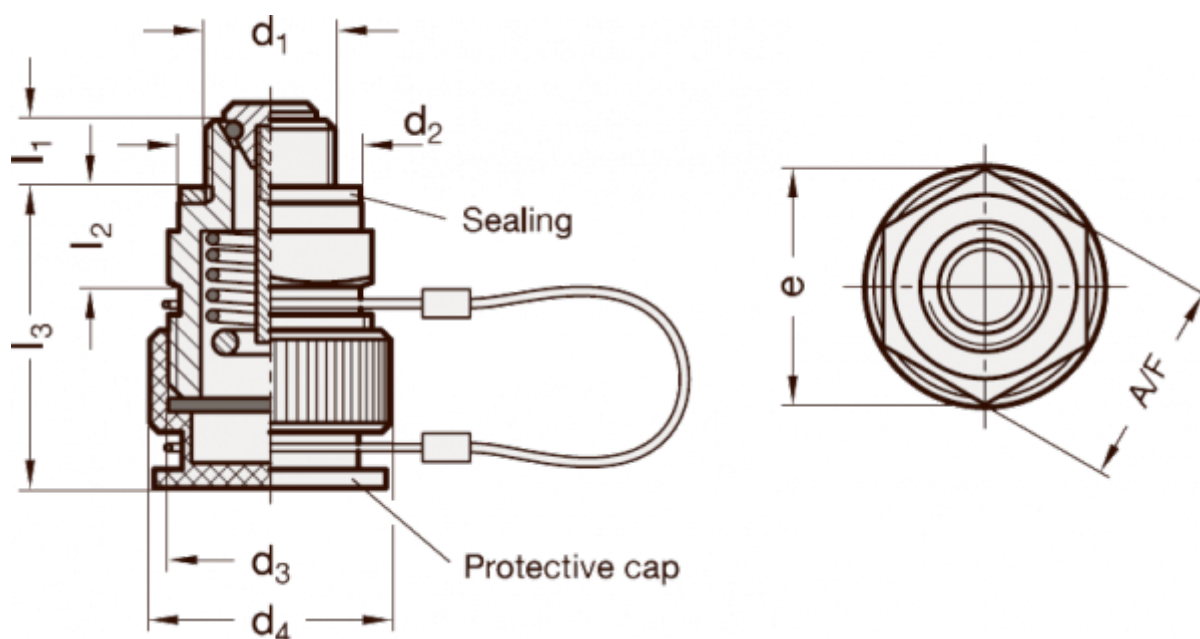
# Data Sheet



Article number: 20880M2015STK

Description: E+G  
Oil drain valve GN 880-M20x1.5-ST-K

## Measures



A/F	= 27
d2	= 26
d4	= 26
e	= 31.2
L1	= 8.5
L2	= 10.5
L3	= 31
Thread d1	= M20x1.5

Thread d3 = M22x1.5